

3.2 TECHNICAL DATA

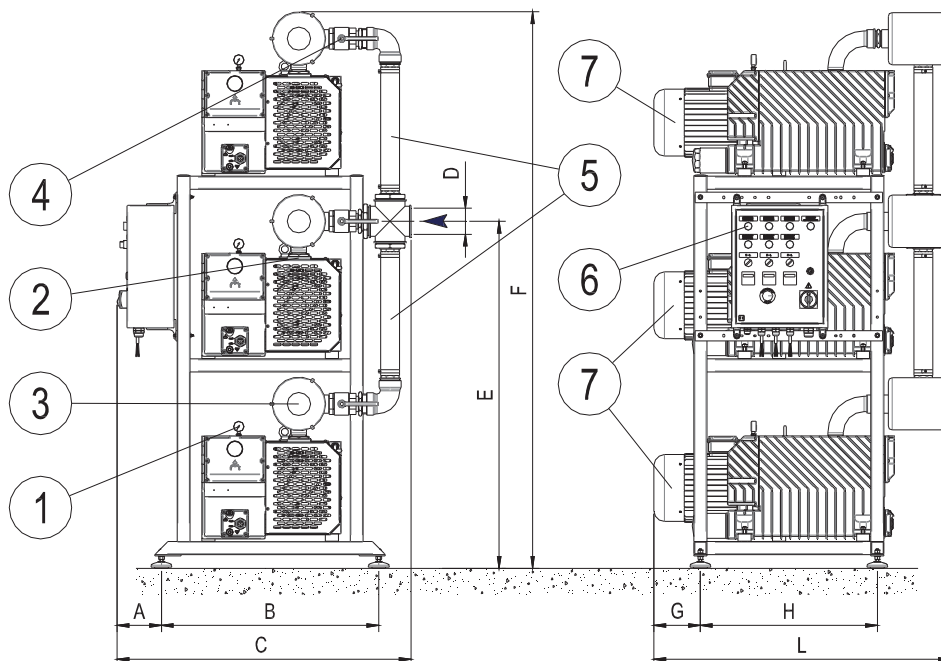
Model	XC.405		XC.605		XC.905	
	9350011/TW	9350011/TZ	9350005/TW	9350005/TZ	9350013/TW	9350013/TZ
Catalogue code	50 Hz	60 Hz	50 Hz	60 Hz	50 Hz	60 Hz
Inlet capacity m ³ /h	410	490	610	730	915	1095
Final pressure (Abs) mbar - hPa	0,5					
Motor power kW	2 x 5,5 ⁽³⁾	2 x 6,6 ⁽³⁾	2 x 7,5 ⁽³⁾	2 x 8,6 ⁽³⁾	3 x 7,5 ⁽³⁾	3 x 8,6 ⁽³⁾
R.p.m. n/min	1400	1700	1400	1700	1400	1700
Noise level (UNI EN ISO 2151) (K 3dB) dB(A)	75	77	77	79	78	80
Weight kg	450		470		740	
Type of oil cod. DVP	BV100 (SW100)					
Ø Hose connection	3" G					
Operating temperature ⁽¹⁾ °C	70 ÷ 75	75 ÷ 80	75 ÷ 80	80 ÷ 85	75 ÷ 80	80 ÷ 85
Required room temp. for place of installation °C	12 ÷ 40					
Ambient temp. for storage/transport °C	-20 ÷ 50					
MAX humidity / altitude	80% / 1000m s.l.m. ⁽²⁾					

(1) Room temperature 20°C

(2) Please contact the Manufacturer if environmental conditions are different from those prescribed.

(3) IE2 efficiency motor.

3.3 DIMENSIONS



Model	Dimensions								
	A	B	C	D	E	F	G	H	L
XC.405	170	835	1040	2-1/2" G	750	1390	165	680	1130
XC.605	170	835	1040	2-1/2" G	750	1390	225	680	1185
XC.905	170	835	1130	4" G	1335	2140	225	680	1185

NOTE: the positions indicated in the picture refer to paragraph 6.3 – SPARE PARTS.

