

WRC SERIES WATER RING VACUUM PUMPS



Three Models Available :

WRC2

WRC3

WRC4

Skellerup WRC Series Vacuum Pumps - Features and Benefits:

Efficient, Simple Design

- Easy bearing and seal replacement and few wearing parts.
- High airflow output to kW input.
- Reliable and stable vacuum through all phases of operation.
- High air flow at working vacuum levels.
- Built to performance criteria in accordance with CE.

Adjustable Port Plate

- Provides for on-site performance tuning.
- Can restore air flow loss due to wear and tear.
- Externally adjustable.

Direct Coupled Motor

- Easy to install with no belt guard or pulleys to install.
- Motor sized to give Vacuum pump optimum performance.

WRC 2 7.5kW 14.4 Amps

WRC 3 11kW 21 Amps

WRC 4 15kW 29.3 Amps

Lower Water usage

Pump vacuum (kPa)	Typical water usage.
50	3.8 to 5.8 litres/min
72	5.0 to 7.2 litres/min

(Based on a speed of 1450 RPM)

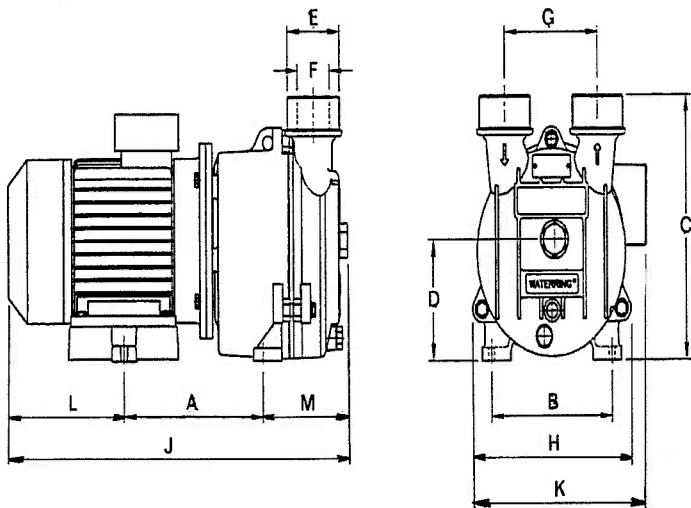
To Order Call: +64 9 5715893

For Technical Support: +64 9 5715842



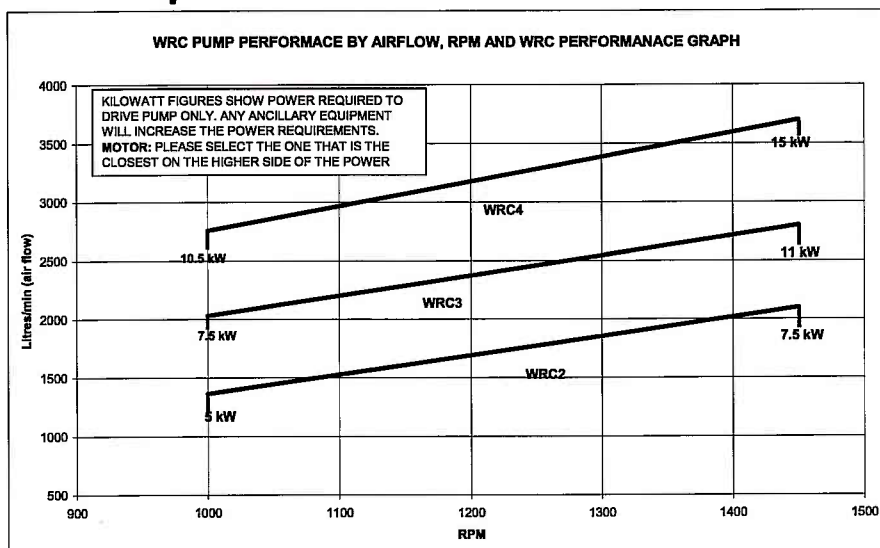
SKELLERUP

Dimensions By Model

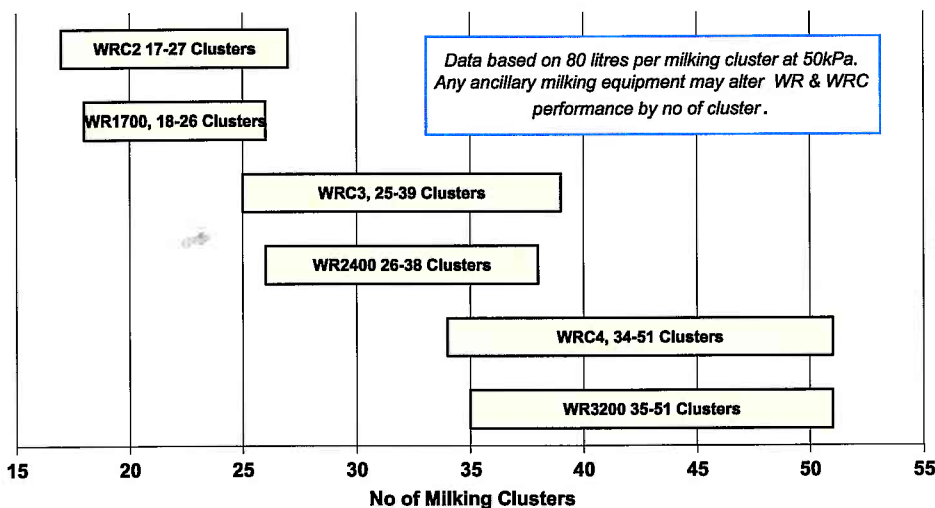


SYMBOL	UNIT	MODEL		
		WRC 2	WRC 3	WRC 4
A	mm	300	330	350
B	mm	260	300	300
C	mm	407	453	453
D	mm	165	210	210
E	mm	110	110	110
F	in	2½ BSP	2½ BSP	2½ BSP
G	mm	200	225	225
H	mm	345	380	380
J	mm	700	775	830
K	mm	380	445	480
L	mm	230	275	295
M	mm	170	170	170

Pump Performance Selection Charts



SKELLERUP WATER RING PUMPS (WR & WRC) PERFORMANCE BY NO OF CLUSTERS



Accessories: Water Separators (colours available to match pumps)

Skellerup Industries Limited
www.skellerup.co.nz

Flomax International Limited
 1/37 Mount Wellington Highway
 Mt Wellington,
 Auckland, New Zealand

For additional information on these or any of the Skellerup Vacuum/Pumps and accessories - contact us

